



VK-70

VACUUM BREAKERS / BRASS**GENERAL FEATURES**

High pressure may occur during the use of steam lines and steam equipment. While cooling the lines, the steam inside is getting condensate. Due to transformation of steam into water, volume and pressure are decreasing and vacuum will occur.

Ayvaz VK-70 vacuum breakers work like check valve and it prevents the system from vacuum by taking in air. When the device is given steam again, pressure will be increase so that device will stop working. They are small size vacuum breakers designed for general purpose applications on steam or condensate lines.

Product Materials

Body and Cover: MS58 Brass

Inner Part: AISI 304 Stainless Steel

Connection:

Threaded

Nominal Diameter:

DN15 (1/2")

Pressure

Max. 16 bar

Min. ΔP Opening Pressure

0,17 bar

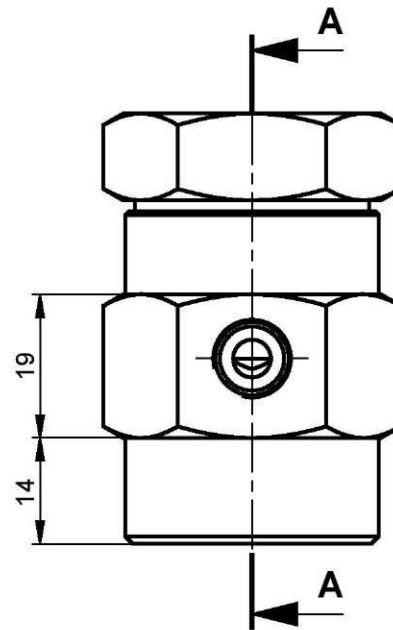
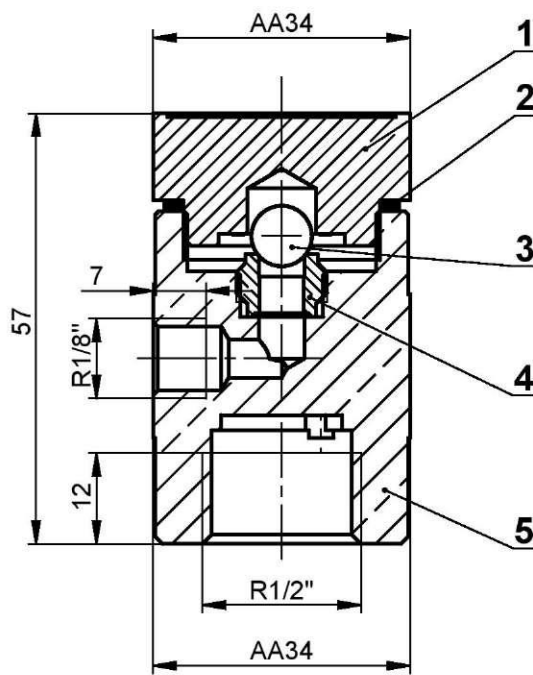
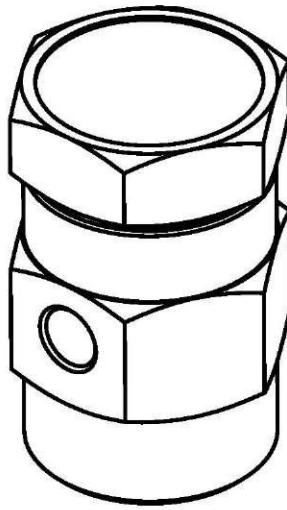
Working Temperature:

Max. working temperature 260 °C

Applications

- Serpentine Systems
- Heat Exchangers
- End of the Line in Steam Systems
- Steam Collectors

VK-70 VACUUM BREAKERS / BRASS



A-A

PART LIST			
No	Parts		Material
5	Body		Ms 8
4	Seat		AISI 304
3	Ball		AISI 440 C
2	Gasket		AISI 304
1	Cover		Ms 8

VACUUM BREAKERS / BRASS



HEAD OFFICE - FACTORY

Atatürk Sanayi Bölgesi Hadımköy Mahallesi Mustafa İnan Caddesi No: 44 Arnavutköy - İSTANBUL
Tel: +90 212 771 01 45 (pbx) | Fax: +90 212 771 47 27
info@ayvaz.com | www.ayvaz.com